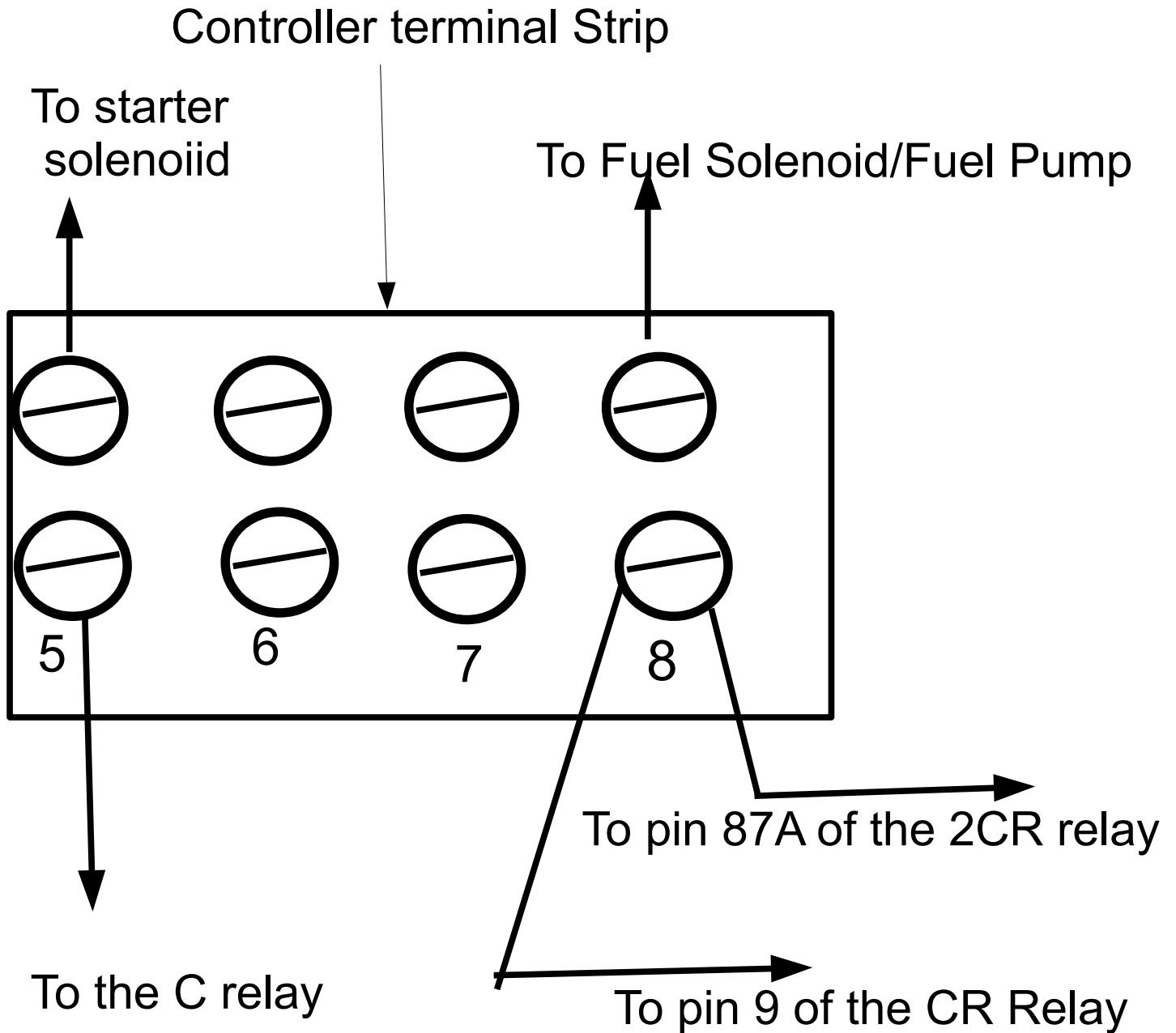
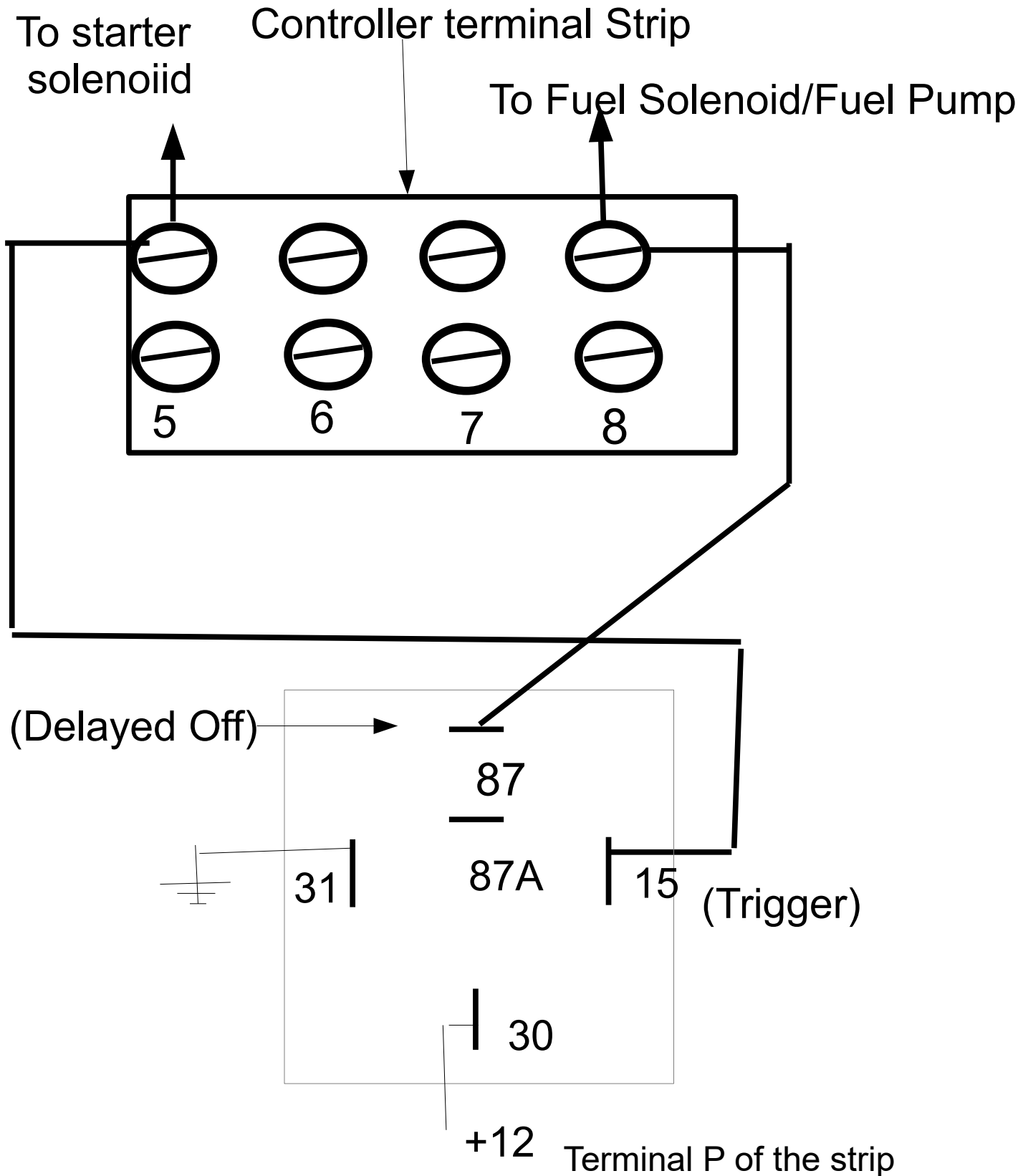


Original Connections



New Time Delay Relay

Hella 996152131



Adding a time delay relay

METHOD TWO

The fuel solenoid/fuel pump power comes from The pin 8 pair on the controller terminal strip.. Adding a relay that holds the fuel solenoid Energized for 10 or so seconds after the starter Is stopped should be long enough to prevent Engine stall

1. Connect pin 87 of the new time Delay Relay to terminal 8 of the terminal strip. (delayed off output) to (fuel solenoid)
2. Connect pin 15 of New time delay relay (Trigger) to terminal 5 of the terminal strip (Starter solenoid)
4. Connect pin 31 of the new time delay relay to Ground.
5. Connect pin 30 of the new time delay relay to +12 volts (terminal P of the controller terminal strip) (first terminal)